

IS 345

DALI-2 APC - in-ceiling installation, rd.
 EAN 4007841 080655
 Article number 080655



infrared sensor
360°



max. 20 x 4 m



IP20



2 - 1000 lux



5 sec - 15 min



manual override



ideal 2,5 - 5 m

Teach

Teach mode



energy saving

5 years

manufacturer's
warranty steinel-
professional.de/
garantie

Function description

Huge reach. Infrared motion detector IS 345 for indoors and out, ideal for passageways, corridors and commonly used spaces, installation height 5 m, detection zone 12 x 6 m (radial) and 23 x 6 m (tangential). Available either in round or square surface-mounted and concealed version.

Technical specifications

Dimensions (Ø x H)	124 x 121 mm
Manufacturer's Warranty	5 years
Settings via	Remote control, Potentiometers, Smart Remote
With remote control	No
Version	DALI-2 APC - in-ceiling installation, rd.
PU1, EAN	4007841080655
Type	Motion detectors
Application, place	Indoors
Application, room	corridor / aisle, multi-storey / underground car park, Indoors
Colour	white
Colour, RAL	9003
Includes corner wall mount	No
Installation site	ceiling
Installation	In-ceiling installation, Ceiling
IP-rating	IP20

Optimum mounting height	2,8 m
Detection angle	Aisle, 360 °
Angle of aperture	45 °
Sneak-by guard	Yes
Capability of masking out individual segments	Yes
Electronic scalability	No
Mechanical scalability	No
Reach, radial	12 x 6 m (72 m ²)
Reach, tangential	23 x 6 m (138 m ²)
Switching zones	280 switching zones
Functions	Normal / test mode, Manual ON / ON-OFF, Constant-lighting control ON-OFF
Twilight setting	2 – 1000 lx
Time setting	5 s – 15 Min.
Basic light level function	Yes
Basic light level function time	1-30 min, all night

IS 345

DALI-2 APC - in-ceiling installation, rd.
EAN 4007841 080655
Article number 080655



Technical specifications

Ambient temperature	from -20 up to 50 °C	Main light adjustable	50 - 100 %
Material	Plastic	Twilight setting TEACH	Yes
Mains power supply	220 – 240 V / 50 – 60 Hz	Constant-lighting control	Yes
Steuerausgang, Dali	Broadcast 1x30 electronic ballasts	Interconnection	Yes
Technology, sensors	passive infrared, Light sensor	Type of interconnection	Master/slave
Mounting height	2,50 – 5,00 m	Interconnection via	Cable
Mounting height max.	5,00 m	Product category	Motion detector

Accessories

EAN 4007841 009151	Remote control Smart Remote
EAN 4007841 559410	Service remote control RC8
EAN 4007841 592806	User remote control RC5
EAN 4007841 056742	Black cover for IR-sensors

IS 345

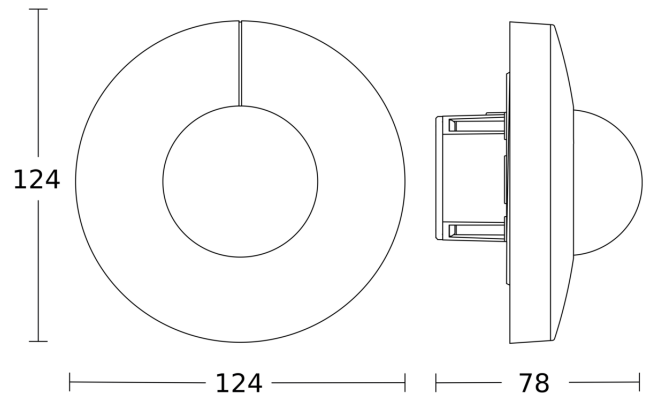
DALI-2 APC - in-ceiling installation, rd.
EAN 4007841 080655
Article number 080655

Detection Zone

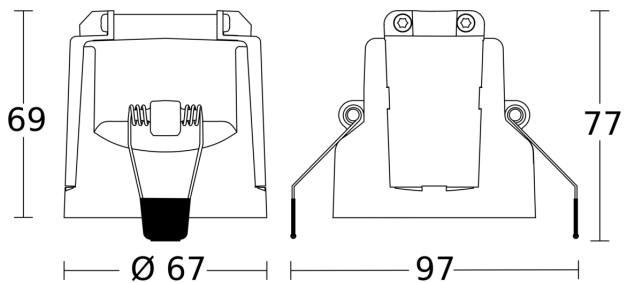


Possible mounting height: 2,50 m - 5,00 m
Orange: radial
Black: tangential

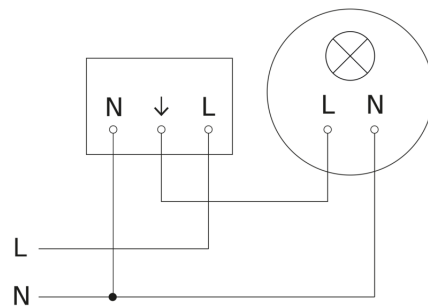
Dimension Drawing 1



Dimension Drawing 2



Master circuit diagram



IS 345

DALI-2 APC - in-ceiling installation, rd.
EAN 4007841 080655
Article number 080655

Master/slave interconnection circuit diagram

